

# ADVANCED VALVE HUB DATASHEET



Elveflow Advanced Valve Hub controls up to 16 valves with 16 ports and a 12V/24V switch.

## Table of content

<b>General specifications</b> .....	<b>3</b>
Electrical specifications.....	3
Provided power supply specifications.....	4
<b>Communication specifications</b> .....	<b>4</b>
<b>Control and monitoring</b> .....	<b>4</b>
<b>Dimensional drawing</b> .....	<b>5</b>
<b>Connections</b> .....	<b>5</b>
M12 Pin out.....	6
<b>Assembly recommendations</b> .....	<b>7</b>
Assembly on standard perforated sheet metal.....	7
Assembly with brackets.....	7

## General specifications

Dimensions (mm)	<b>124 x 99 x 70 mm</b>
Weight (g)	<b>470 g</b>
Control Center connection	<b>M12 8 pins (shielded cable 25 cm recommended)</b>
Power connection	<b>DC power connector, Plug, 3A, 2.1mm, 12mm</b>
Number of controlled valves	<b>16</b>
Type of valves	<b>2 wires 24 or 12V (switchable by line of 8 valves)</b>
Valves connection type	<b>Terminal block (2 wires)</b>
Casing material	<b>Aluminium</b>
Mounting orientation	<b>Any</b>

## Electrical specifications

Input voltage (V)	<b>24V</b>
Maximum power consumption (W)	<b>40W</b>
Maximum current consumption (A)	<b>1.67A Peak</b>
Maximum current / valve channel (A)	<b>0.2A</b>
Maximum valve power / valve channel (W)	<b>4.8W for 24V 2.4W for 12V</b>

## Provided power supply specifications

Supply - Voltage range (V)	<b>100 to 240 VAC</b>
Supply - AC frequency (Hz)	<b>50 to 60 Hz</b>
Output - Maximum current output (A)	<b>1.67A Peak</b>
Output - Maximum power (W)	<b>40W</b>

## Communication specifications

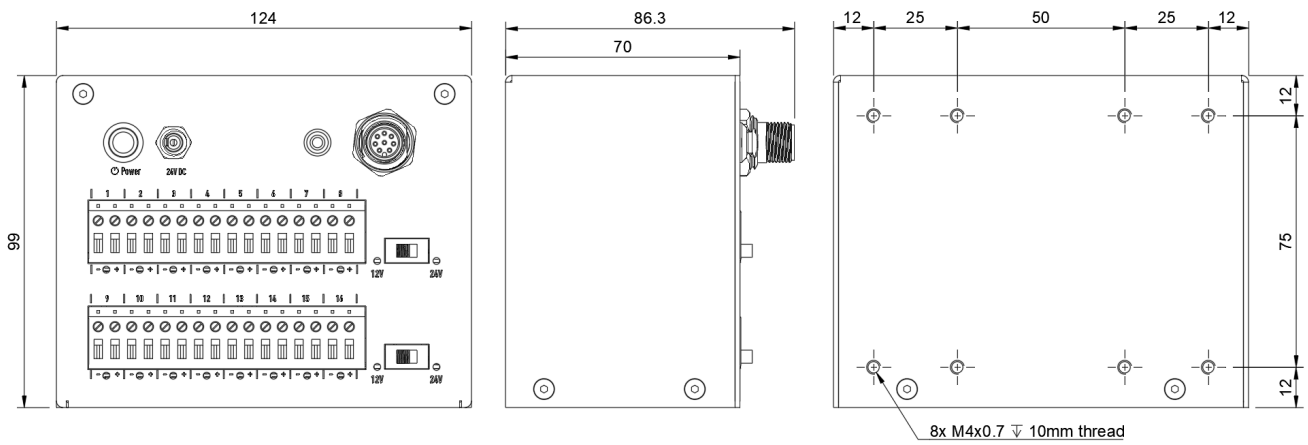
Interface	<b>M12 8 pins</b>
Communication type	<b>Universal Asynchronous Receiver-Transmitter (UART)</b>
Serial communication speed	<b>230400 bauds</b>

## Control and monitoring

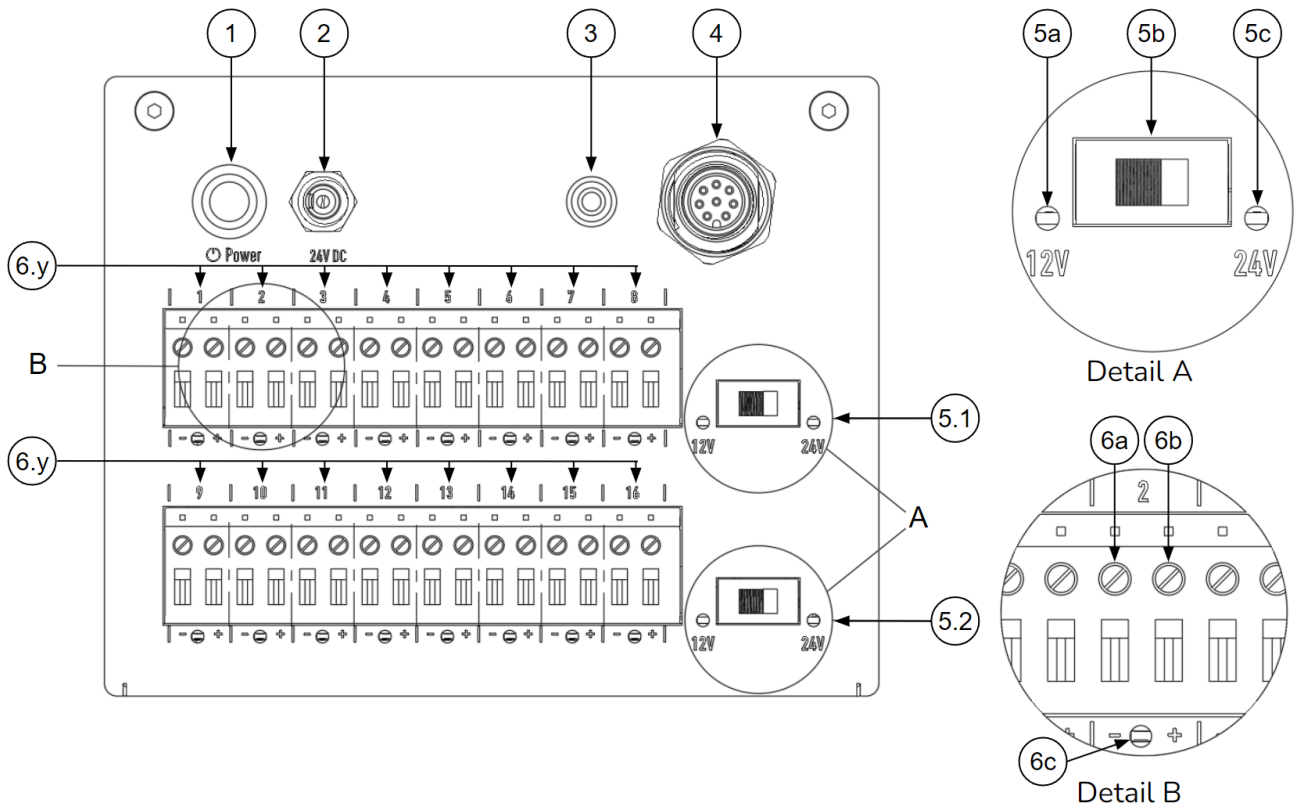
UART commands	<b>Individual valve control and full register control</b>
Software control	<b>ESI via a Advanced Control Center only</b>

# Dimensional drawing

(Dimensions in mm)



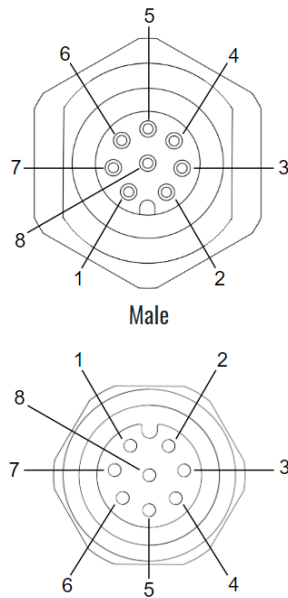
# Connections



1	Power button with LED	<b>Green LED - ON when device powered</b>
2	Power supply	<b>Jack 24V DC - 40W</b>
3	Communication LED	<b>Green LED - ON when communicating</b>
4	Connection to Advanced Control Center (or Advanced Hub)	<b>M12 male - 8 pins</b>
5.x	12V / 24V line switch 5.1 : upper line 5.2 : lower line	<b>5a : 12V red LED - ON when line on 12V</b>
		<b>5b : Switch</b>
		<b>5c : 24V red LED - ON when line on 24V</b>
6.y	Valve connection channel #y 24V / 2 Watt (max)	<b>6a : Terminal block - (Ground)</b>
		<b>6b : Terminal block + (24V)</b>
		<b>6c : Green LED - ON : tension between blocks</b>

### M12 Pin out

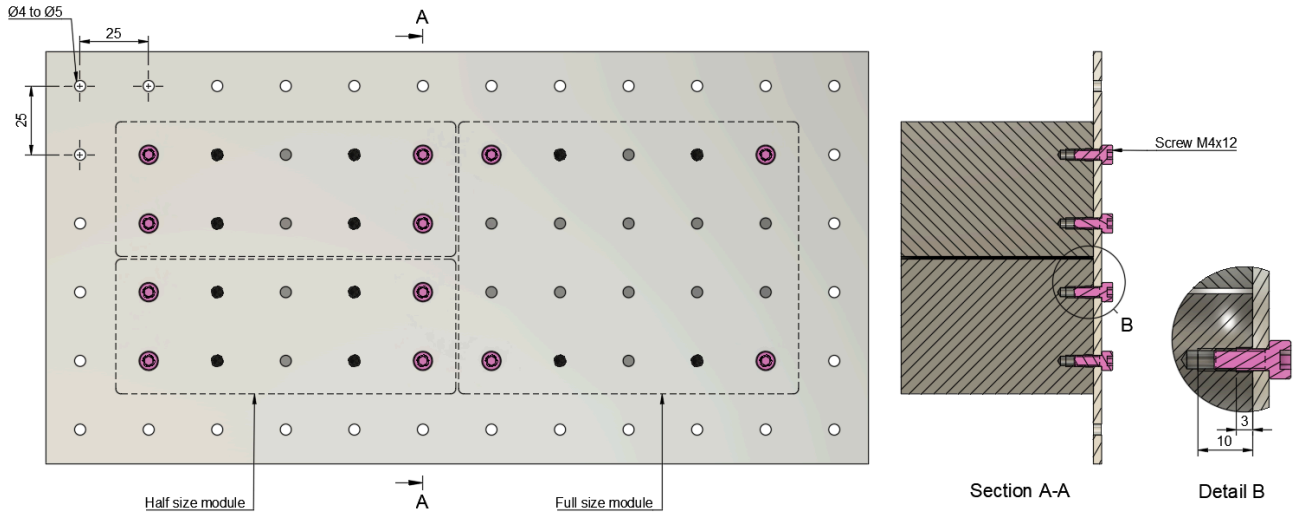
1	<b>RX</b>
2	<b>TX</b>
3	<b>Ground</b>
4	/
5	<b>5V DC</b>
6	/
7	<b>Ground</b>
8	<b>24V DC</b>



## Assembly recommendations

The module can be used in any orientation.

### Assembly on standard perforated sheet metal



### Assembly with brackets

Brackets are Elveflow custom parts that can be purchased with an Advanced system to assemble the modules together (see Advanced Assembly kit).

