

# OEM HUB DATASHEET



Elveflow OEM Hub connects to the Control Center to multiply by 5 the number of modules it can control on 1 channel.

## Table of content

<b>General specifications</b> .....	<b>3</b>
Electrical specifications.....	3
Provided power supply specifications.....	4
<b>Communication specifications</b> .....	<b>4</b>
<b>Control and monitoring</b> .....	<b>4</b>
<b>Dimensional drawing</b> .....	<b>5</b>
<b>Connections</b> .....	<b>5</b>
M12 Pin out.....	6
<b>Assembly recommendations</b> .....	<b>6</b>
Assembly on standard perforated sheet metal.....	6
Assembly with brackets.....	7

## General specifications

Dimensions (mm)	<b>124 x 49 x 70 mm</b>
Weight (g)	<b>300 g</b>
Control Center connection	<b>M12 8 pins (shielded cable 25 cm recommended)</b>
Power connection	<b>DC power connector, Plug, 3A, 2.1mm, 12mm</b>
Number of module connections	<b>5</b>
Module connections	<b>M12 8 pins (shielded cable 25 cm recommended)</b>
Casing material	<b>Aluminium</b>
Mounting orientation	<b>Any</b>

## Electrical specifications

Input voltage (V)	<b>24V</b>
Maximum power consumption (W)	<b>40W</b>
Maximum current consumption (A)	<b>1.67A Peak</b>
Typical power (W)	<b>2W</b>
Maximum output power / channel (W)	<b>12W</b>
Typical power / channel (W)	<b>1.7W</b>

## Provided power supply specifications

Supply - Voltage range (V)	<b>100 to 240 VAC</b>
Supply - AC frequency (Hz)	<b>50 to 60 Hz</b>
Output - Maximum current output (A)	<b>1.67A Peak</b>
Output - Maximum power (W)	<b>40W</b>

## Communication specifications

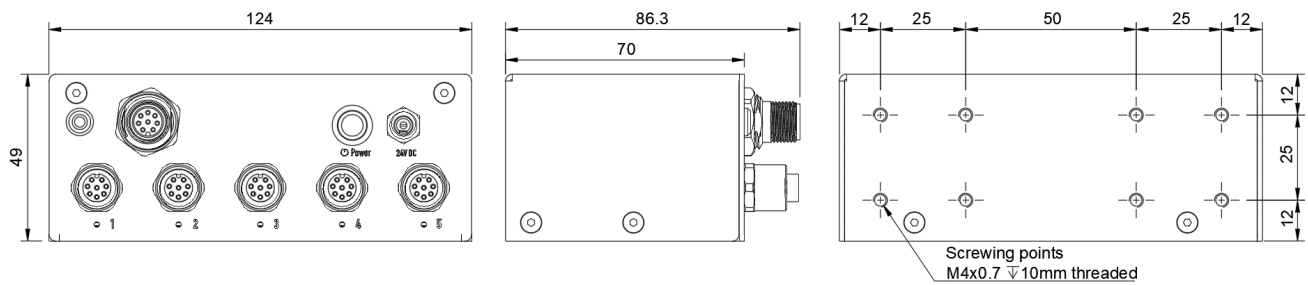
Interface	<b>M12 8 pins</b>
Communication type	<b>Universal Asynchronous Receiver-Transmitter (UART)</b>
Serial communication speed	<b>230400 bauds</b>

## Control and monitoring

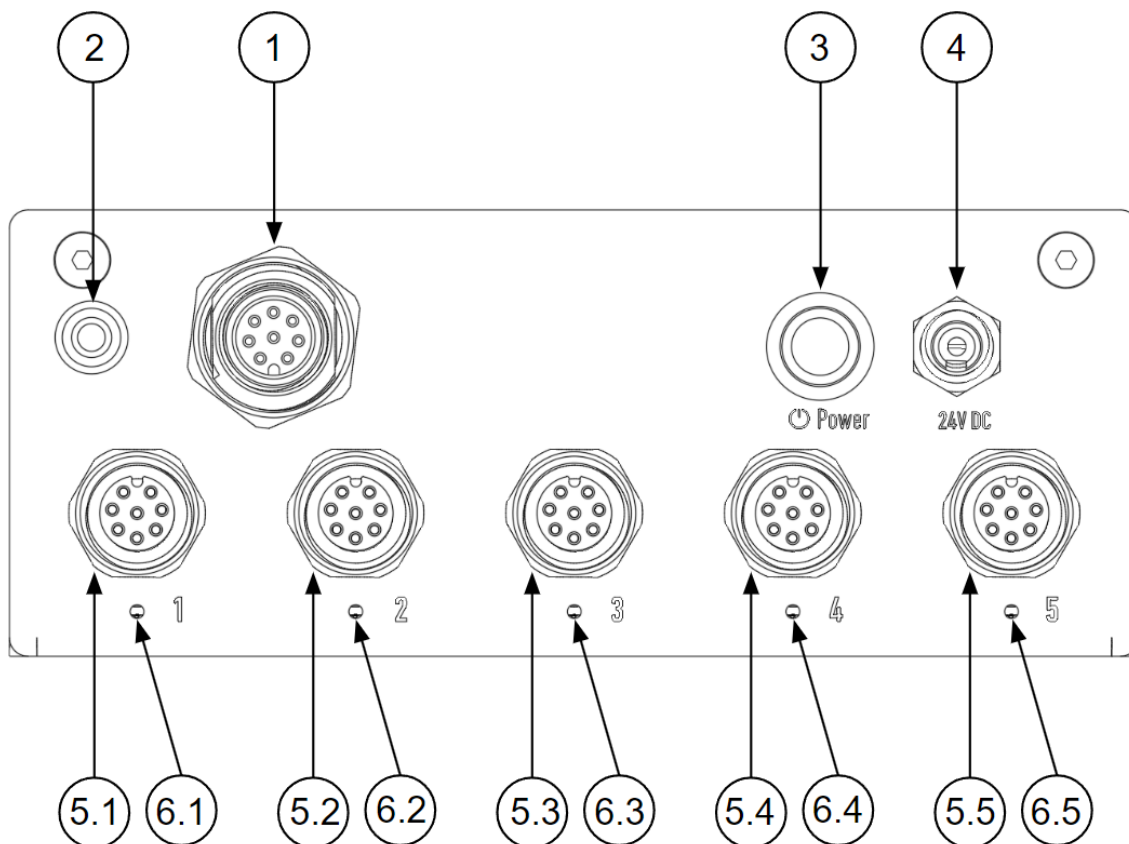
Software control	<b>ESI via a OEM Control Center only</b>
Number of channels available	<b>5</b>
Distributed PI regulation between a regulator module and a sensor on another module	<b>Yes</b>

## Dimensional drawing

(Dimensions in mm)



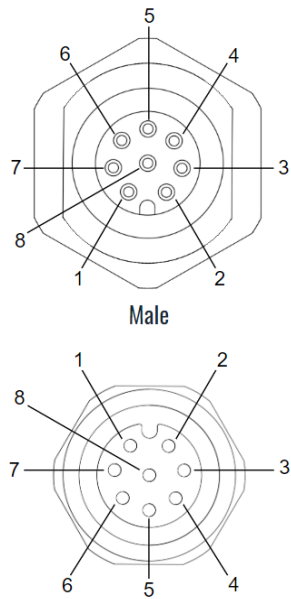
## Connections



1	Control Center connection	<b>M12 male - 8 pins</b>
2	Communication LED	<b>Green LED - ON when communicating</b>
3	Power button with LED	<b>Green LED - ON when device powered</b>
4	Power supply	<b>DC power connector, Plug, 3A, 2.1mm, 12mm</b>
5.x	Module connection channel #x	<b>M12 female - 8 pins</b>
6.x	Module channel #x communication LED	<b>Green LED - ON when communicating</b>

## M12 Pin out

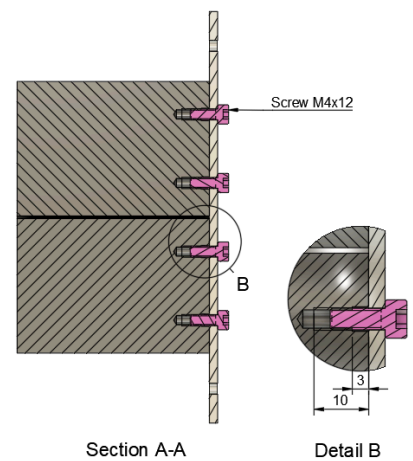
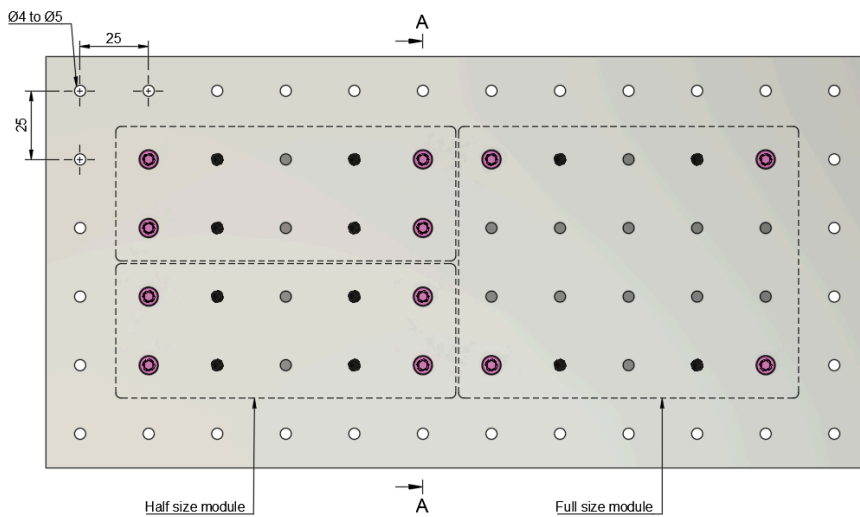
1	<b>RX</b>
2	<b>TX</b>
3	<b>Ground</b>
4	/
5	<b>5V DC</b>
6	/
7	<b>Ground</b>
8	<b>24V DC</b>



## Assembly recommendations

The module can be used in any orientation.

### Assembly on standard perforated sheet metal



## Assembly with brackets

Brackets are Elveflow custom parts that can be purchased with an OEM system to assemble the modules together (see OEM Assembly kit).

